

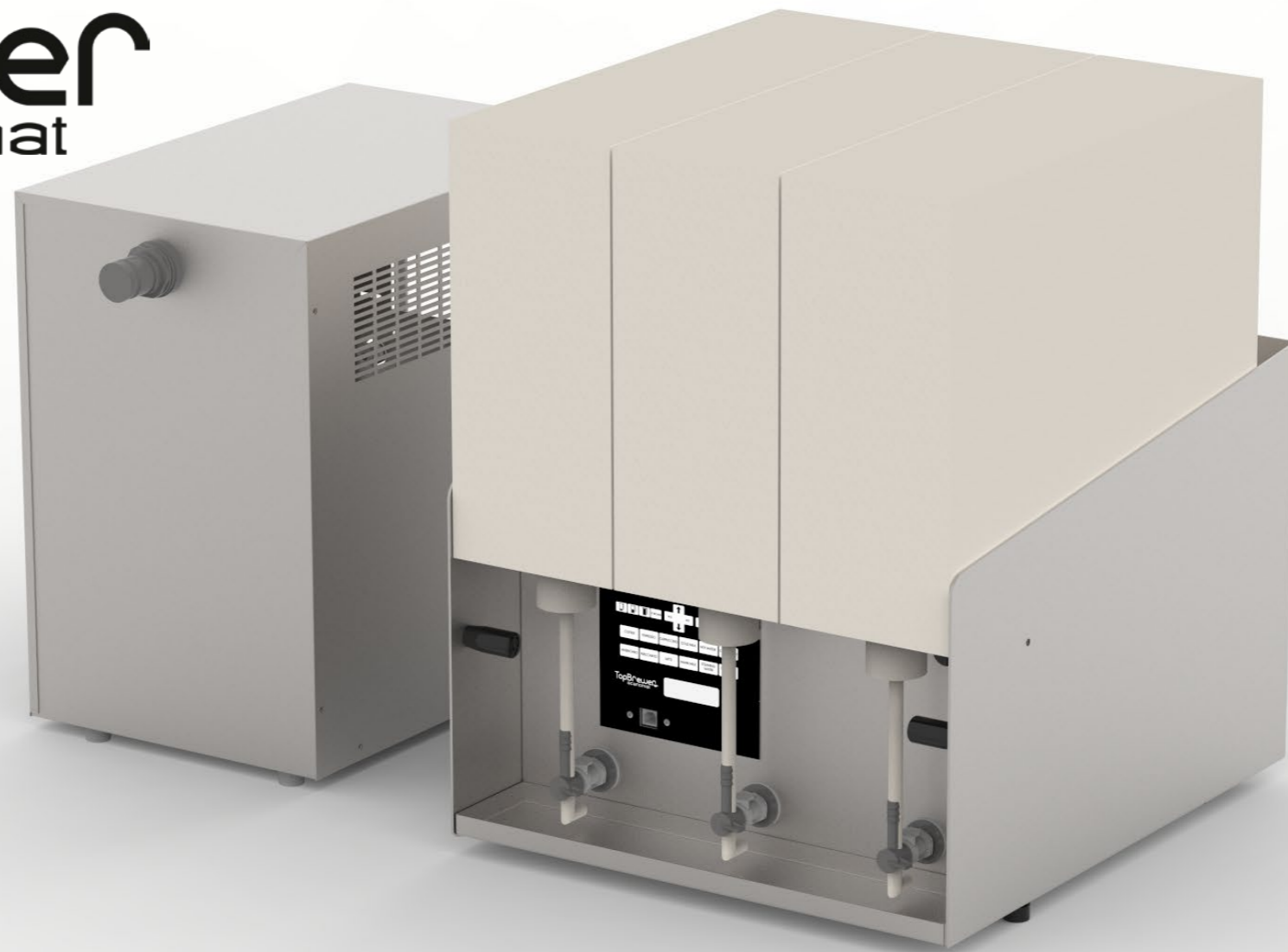
PRE INSTALLATION GUIDE

FÖRINSTALLATIONSGUIDE
ANLEITUNG VOR DER INSTALLATION
預安裝指南

FOR

TopJuicer

scanomat



Scanomat
Download Center



Scanomat
Architect Pack
(2D/3D Files)

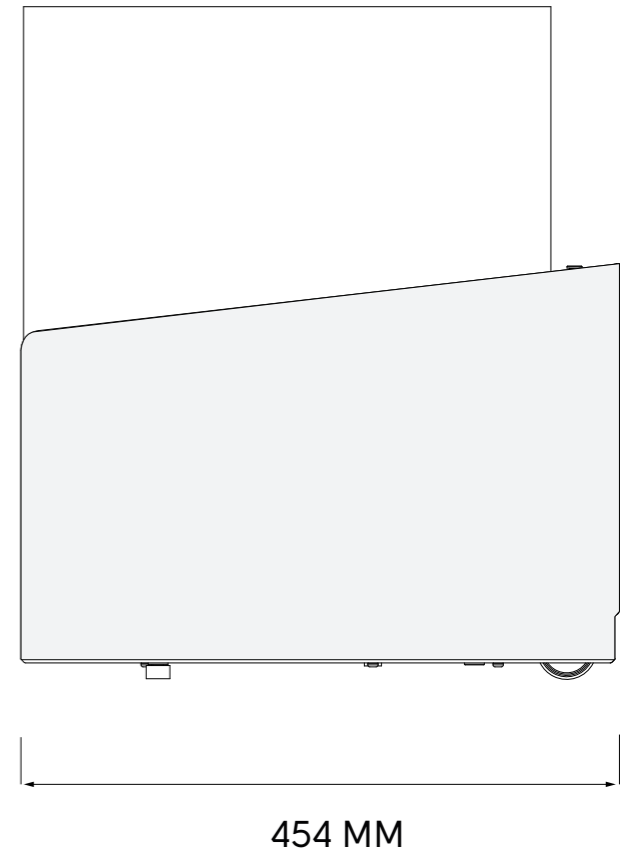
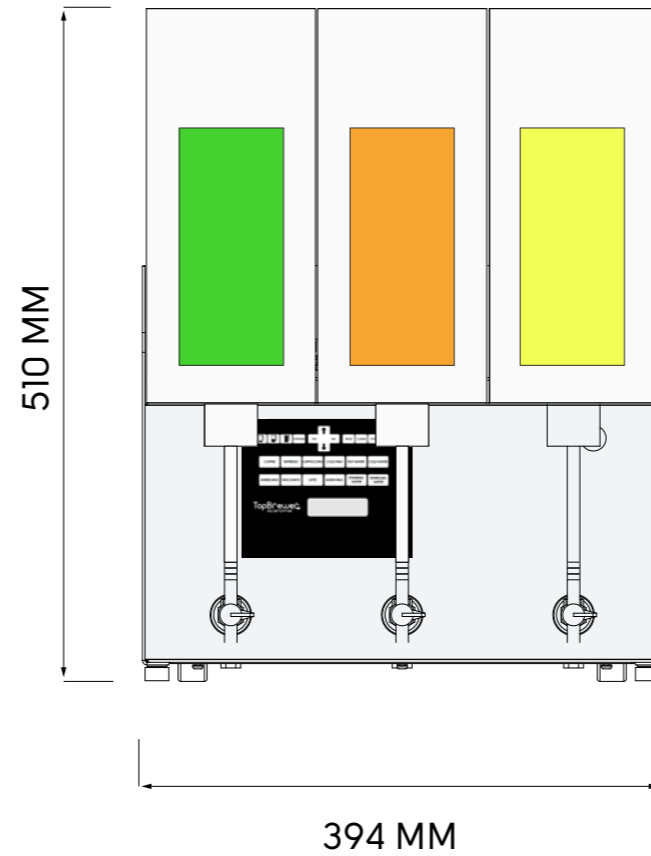
For TopJuicer
Version: 2.0
02-01-2020

Products Overview

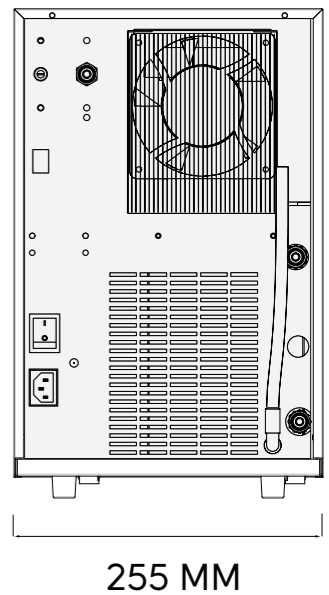
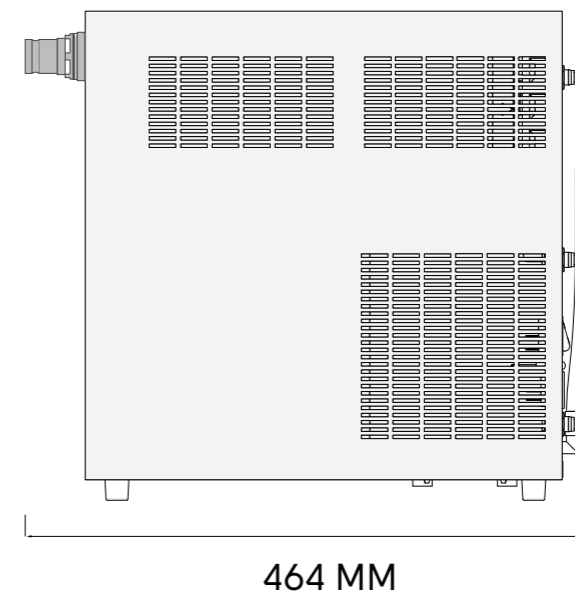
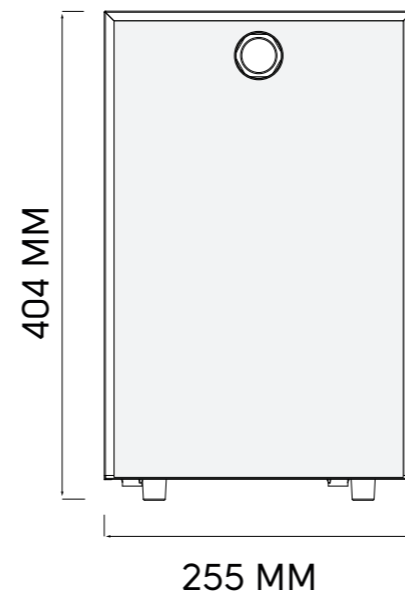
* OPTIONALLY WITH CO₂

UNIT DETAILS	TJ TopJuicer (for concentrate)	B1 Cooler 45*
Installation Dimensions (WxDxH)	394 x 454 x 510.5 mm	255 x 464 x 404 mm
Packing Dimensions (WxDxH)	420 x 480 x 530 mm	265 x 483 x 464 mm
Weight, gross.	30 kg	22 kg
Weight, net.	26 kg	19 kg
Carton Capacity	3 x 10 liter	-
Throughput/hour	50 liter	45L
Approvals	CB	CE, ETL/UL, NSF
Power	<p>EU 230-240V, 10 Amp 3-pin plug point for each unit.</p> <p>For Canada & US: 115V, 60 Hz, 10 Amp, plug point for each unit.</p>	
Water	Direct Water Connection, 3/4" type shutoff valve Water pressure: 200kPa (2 Bar) - 600 kPa (6 Bar)	
Filtration	<p>Areas with very hard water (above 15 dh°): C150 or C300 filter + 50% bypass</p> <p>All other areas: ActiveCoal 10.000 Filter for purification</p>	
Drainage	Waste U-pipe, ø40mm. Manifold/drain plug (included, see Plumbing section) is inserted and components are connected here.	
Ventilation	Duct Fan Ventilation required. Cooler produces a lot of heat, which needs to be able to exit as per installation instructions in Carpenter section	

● TopJuicer



● Water cooler (B1)



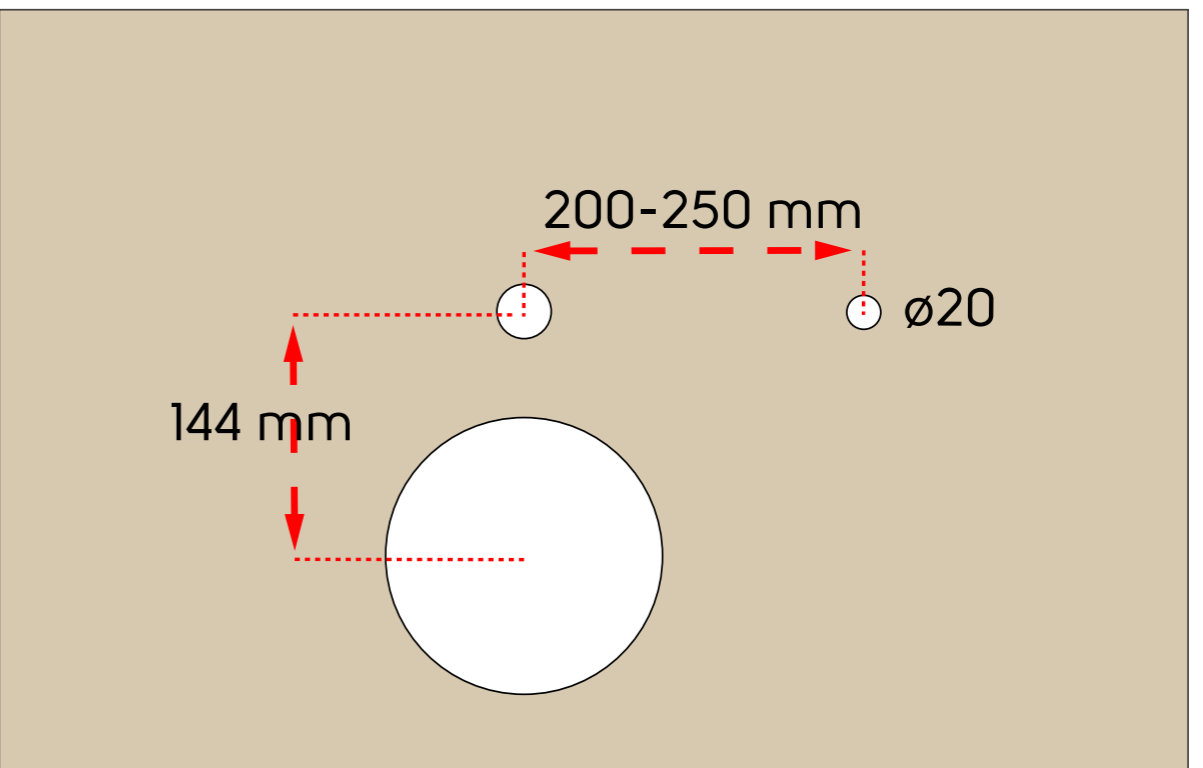
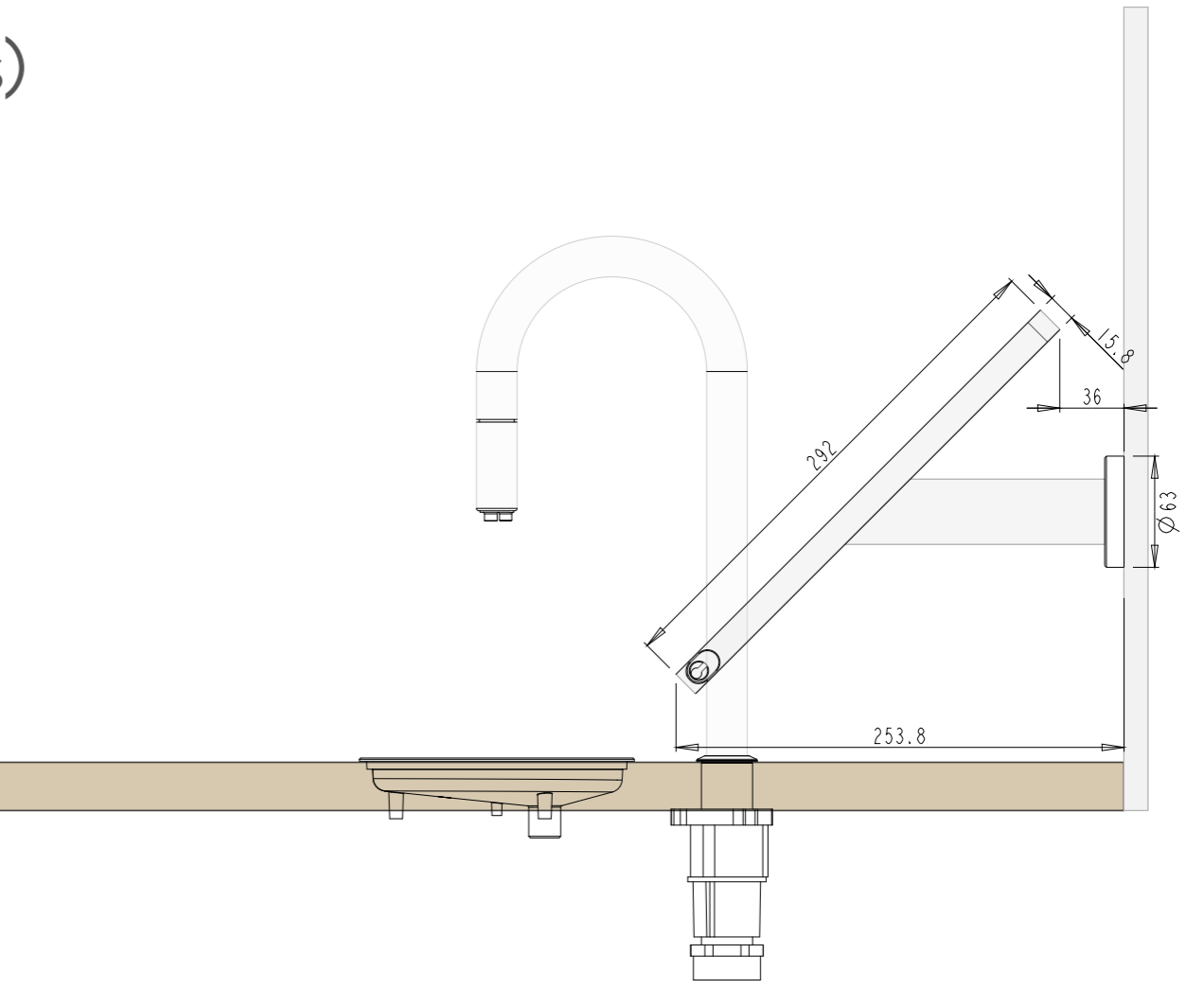
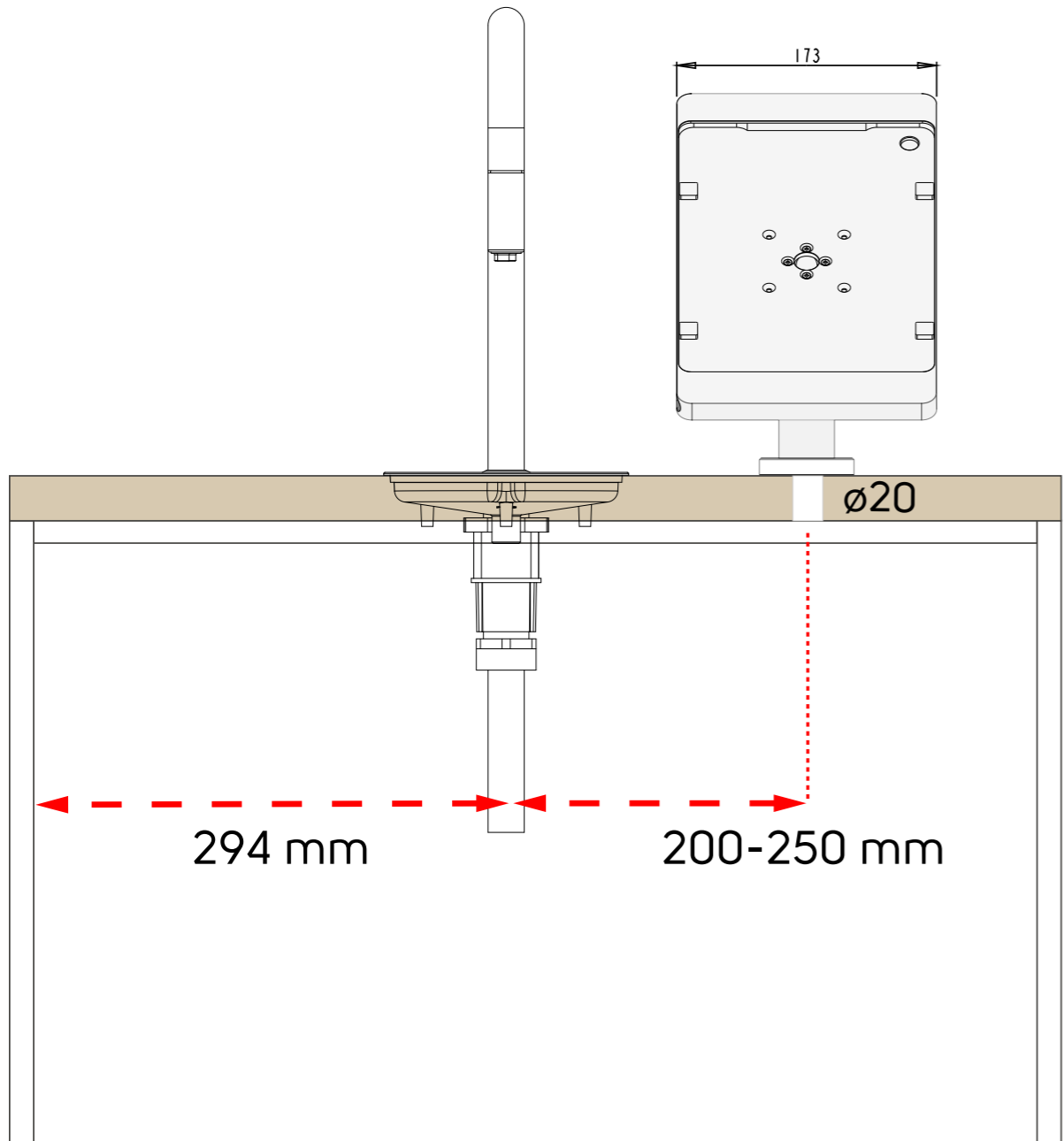
CARPENTER

SNICKARE

ZIMMERMANN

木匠

BOXIT (Table Mount or Wall-Mount options)



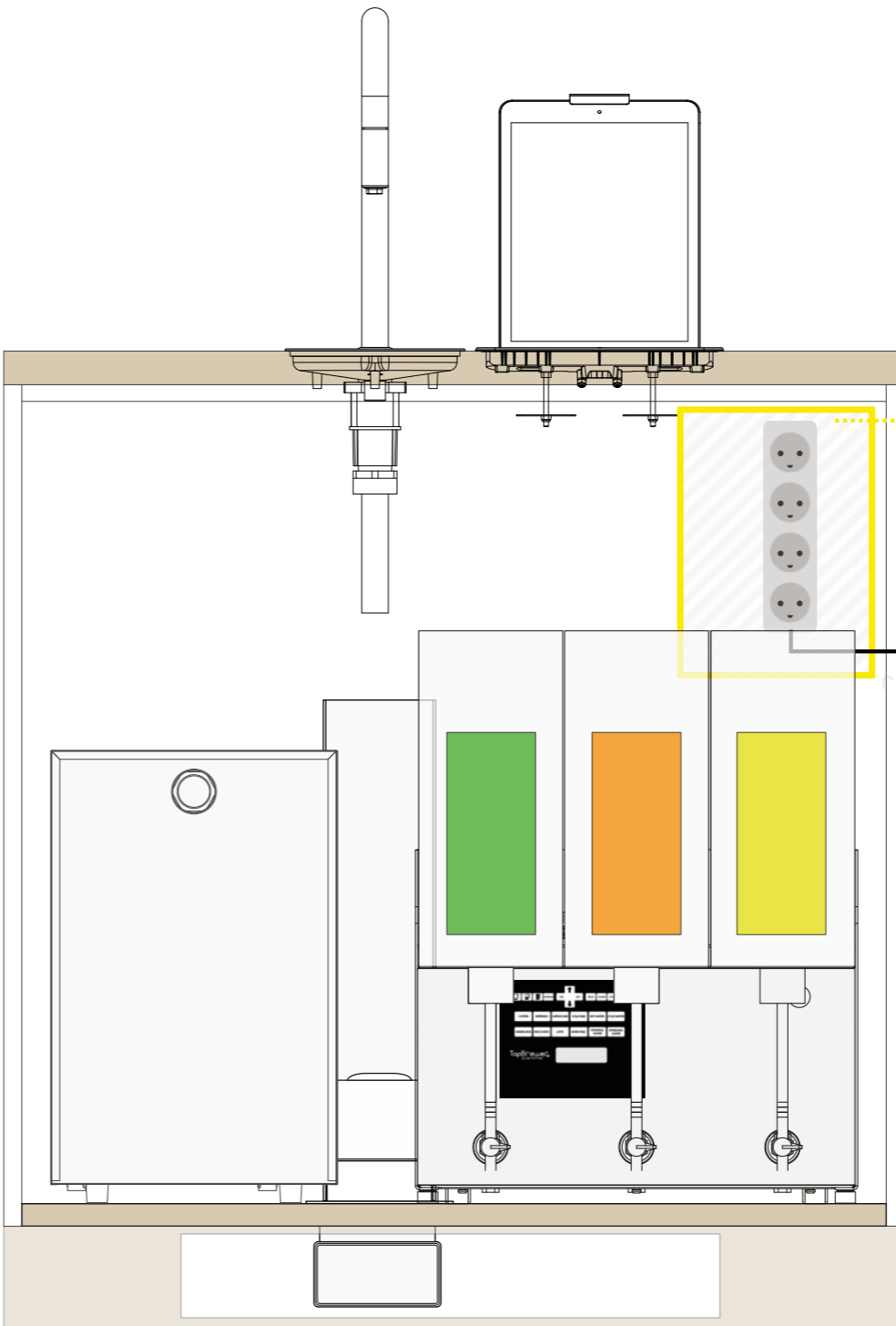
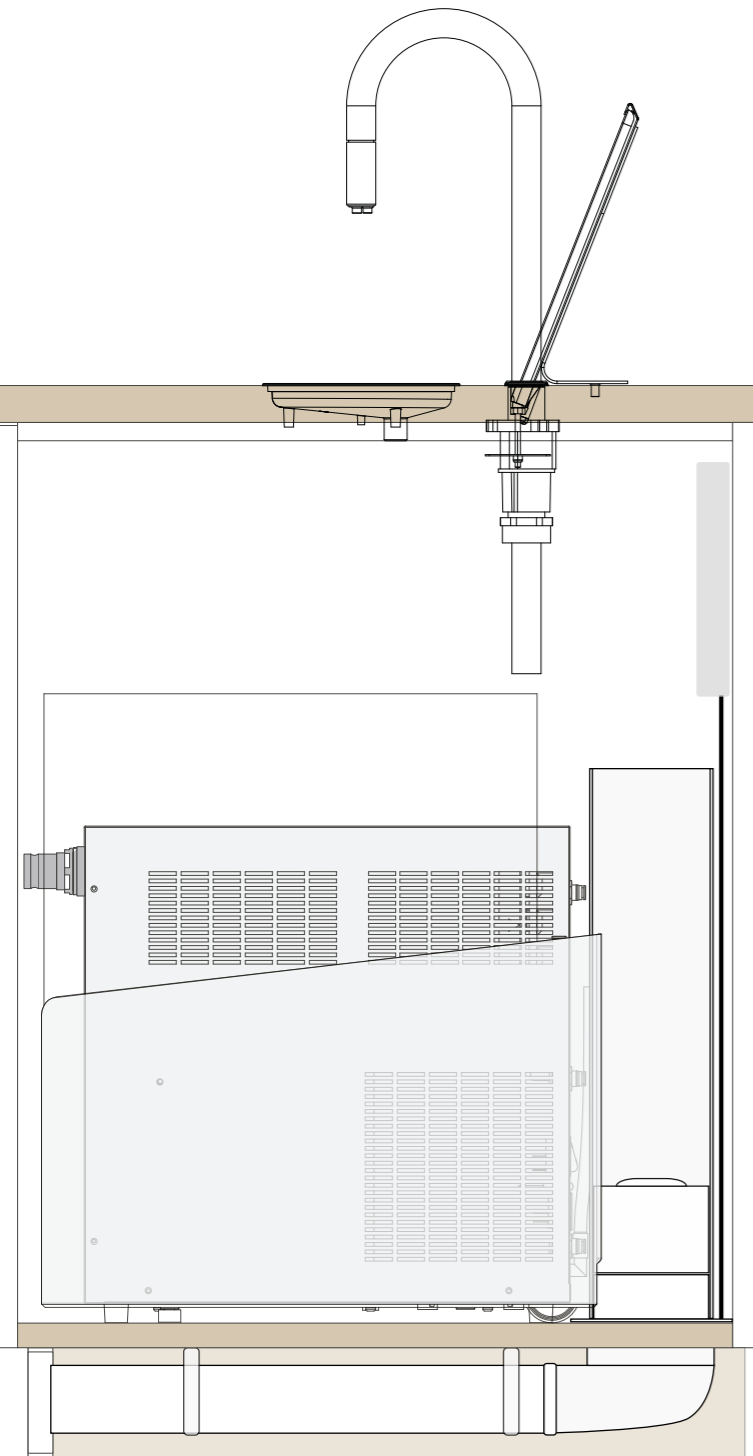
ELECTRIC

ELEKTRISK

ELEKTRISCH

電的

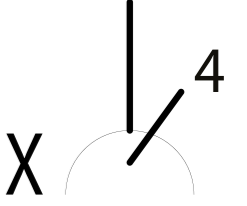
Electrical Requirements



IMPORTANT
Electrical Installations
to be placed here

All electrical must be kept within boundary

Plug point
Cooler, Ventilation &
Optional iPad Charger



Single phase
230V, 10 amp
US & Canada:
Single phase 115V,
60 Hz, 10 Amp

PLUMBING

VVS

KLEMPNERARBEITEN

水暖

scanomat

coffee solutions for more than 50 years

For more information & questions to your installation,
contact us on the below channels

Tecnicl / Architect Support

E-mail: support@scanomat.dk

Chat: www.scanomat.com

International: +454918180

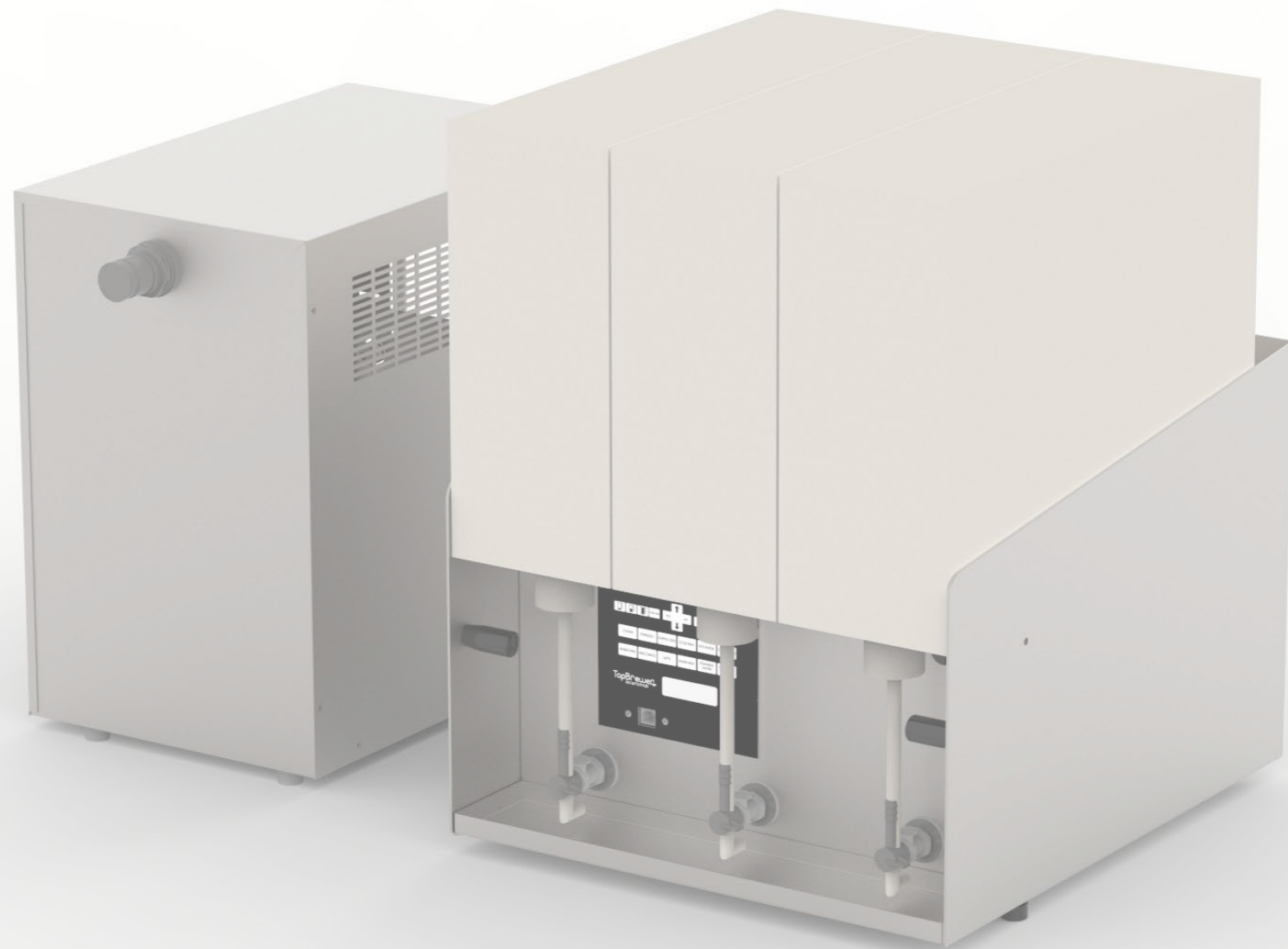
Denmark: +4549181212

Sweden: +46 (0)774 41 0000

Norway: +47 22662210

UK: architect@scanomat.co.uk

Locate Dealer: scanomat.com/services/partners



For TopJuicer
Version: 2.0
02-01-2020